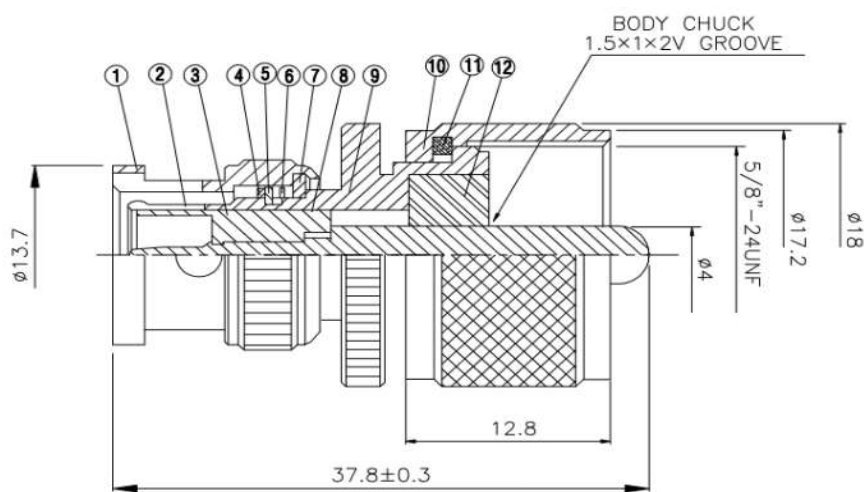
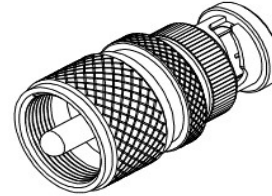


# B-159

## BNC Stecker / UHF Stecker



NO	DESCRIPTION	MATERIAL	Q' TY	FINISH
1	BODY 1	DIE-CAST	1	NICKEL
2	BODY 2	BRASS	1	NICKEL
3	INSULATION	DELRIN	1	DELRIN
4	GASKET	SI RUBBER	1	RUBBER
5	WASHER 1	BRASS	1	NICKEL
6	SPRING	BRASS	1	NICKLE
7	WASHER 2	BRASS	1	NICKEL
8	PIN	BRASS	1	GOLD
9	INSULATION	DELRIN	1	DELRIN
10	SHELL	BRASS	1	NICKEL
11	WASHER	BRASS	1	NICKEL
12	INSULATION	DELRIN	1	DELRIN